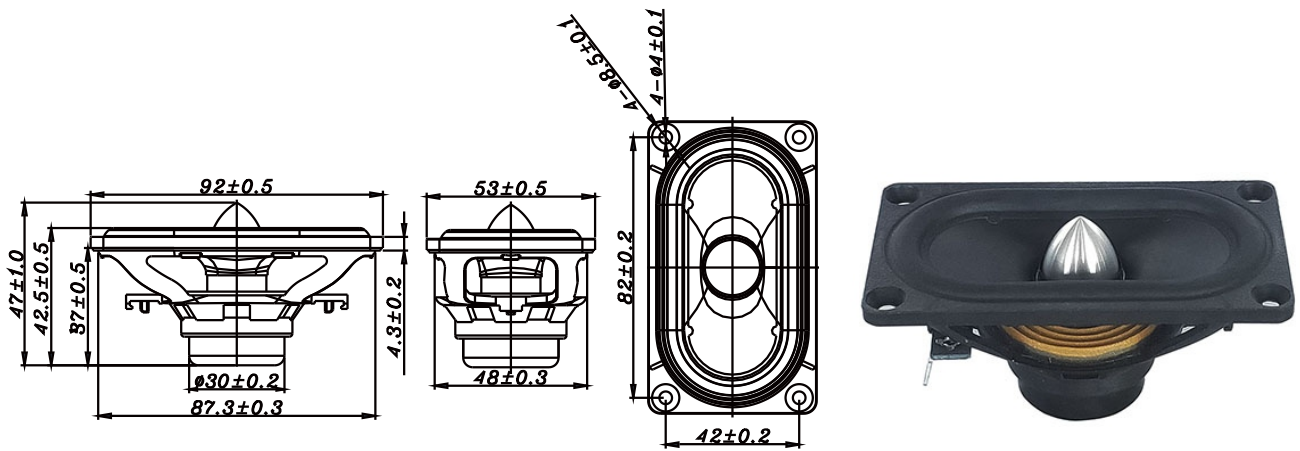


F SERIES

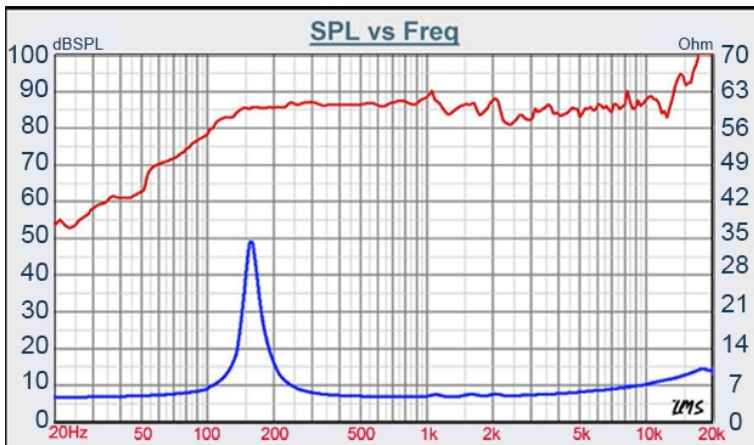
W23-1286SH



- FULL RANGE DESIGN
- ABS BASKET , NEODYMIUM DESIGN
- ALUMINIUM PHASE PLUG COOLING
- PP CONE WITH TPR SURROUND
- GOOD FOR CAR, HOME THEATER, MULTIMEDIA APPLICATION
- MAGNETICALLY SHIELDED

2*3" PP FULL RANGE

DIAPHRAGM MTL	Black PP
SURROUND MTL	TPR
NOMINAL IMPEDANCE	4 Ω
DCR IMPEDANCE	3.6 Ω
SENSITIVITY 1W/1m	87 dB
FREQUENCY RESPONSE	150-20 K Hz
FREE AIR RESONANCE	150 Hz
VOICE COIL DIAMETER	18.4 mm
AIR GAP HEIGHT	3 mm
RATED POWER INPUT	12 W
MAXIMUM POWER INPUT	25 W
FORCE FACTOR, BL	3.05 TM
TYPE OF MAGNET	Neodymium
MOVING MASS	2.0 g
FERROFLUID ENHANCED	No
SUSPENSION COMPLIANCE	527.97 μMN^{-1}
EFFECTIVE PISTON AREA	0.0029 M^2
Levc	0.014 mH
Zo	60 Ω
X-max	0.9 mm
Vas	0.63 Litr
Qts	0.68
Qms	6.44
Qes	0.76



VOICE:886.2.26570282 FAX:886.2.26580166
E-MAIL :info@tb-speaker.com