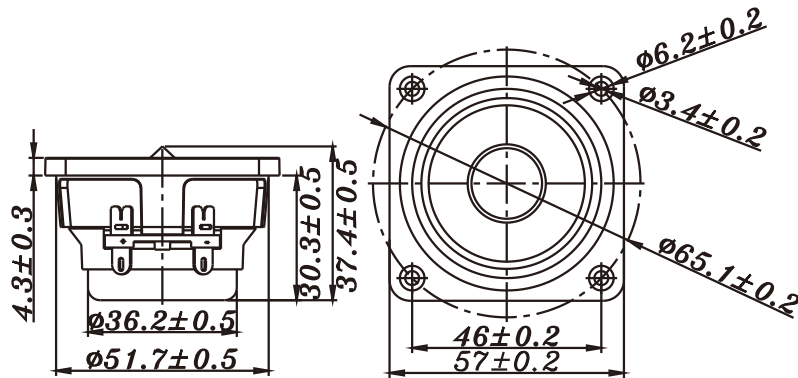


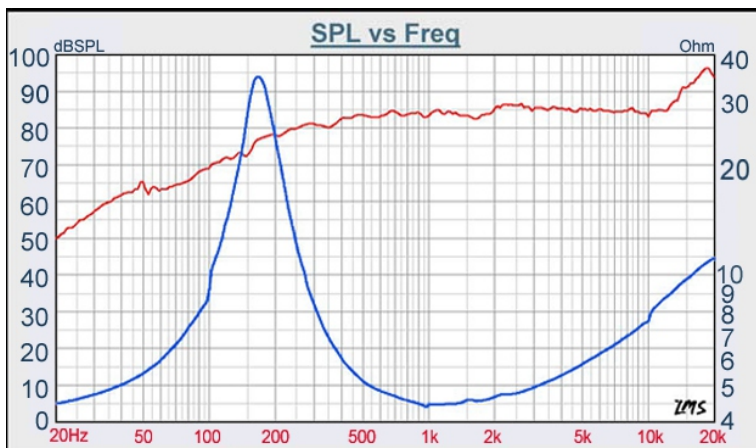
# F SERIES

# W2-852SH



- FULL RANGE DESIGN
- ABS BASKET
- NEODYMIUM DESIGN
- PAPER CONE WITH TPR SURROUND
- GOOD FOR CAR, HOME THEATER, MULTIMEDIA APPLICATION

## 2" PAPER FULL RANGE



DIAPHRAGM MTL	Paper
SURROUND MTL	TPR
NOMINAL IMPEDANCE	4 $\Omega$
DCR IMPEDANCE	3.6 $\Omega$
SENSITIVITY 1W/1m	86 dB
FREQUENCY RESPONSE	160-20K Hz
FREE AIR RESONANCE	160 Hz
VOICE COIL DIAMETER	20.4 mm
AIR GAP HEIGHT	3 mm
RATED POWER INPUT	8 W
MAXIMUM POWER INPUT	16 W
FORCE FACTOR, BL	2.99 TM
TYPE OF MAGNET	Neodymium
MOVING MASS	1 g
FERROFLUID ENHANCED	No
SUSPENSION COMPLIANCE	1051 $\mu\text{MN}^{-1}$
EFFECTIVE PISTON AREA	0.0013 $\text{M}^2$
Levc	0.03 mH
Zo	25 $\Omega$
X-max	1 mm
Vas	0.25 Liter
Qts	0.29
Qms	1.49
Qes	0.37

**TB** SPEAKERS

VOICE 886.2.26570282 FAX 886.2.26580166  
E-MAIL: info@tb-speaker.com