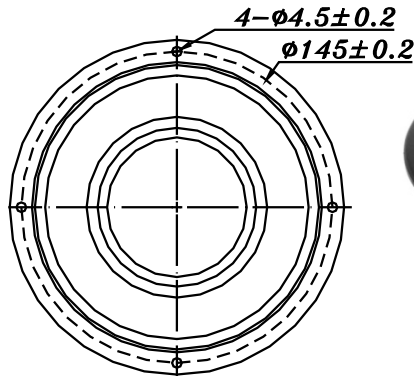
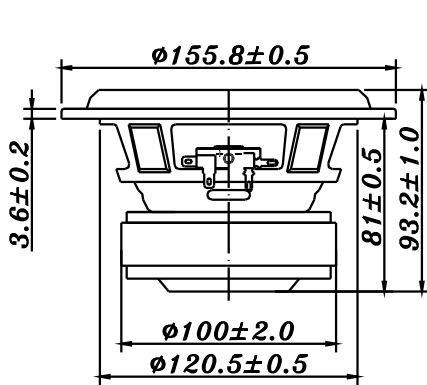


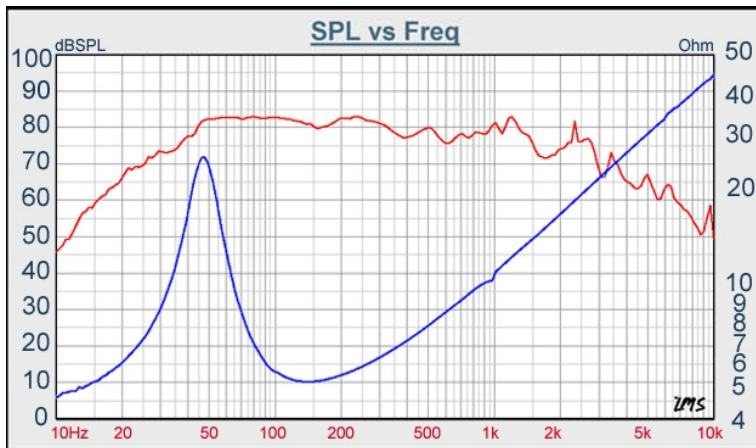
SU SERIES

W5-1138SMF



- LONG-THROW HIGH-POWER LOADING DESIGN (X-max=9.25mm)
- PAPER CONE WITH BIG ROLL, LESS DAMPING RUBBER SURROUND
- VENTED POLE PIECE
- STAMPING STEEL BASKET
- SUITABLE FOR SUBWOOFER APPLICATION

5" PAPER SUBWOOFER



DIAPHRAGM MTL	Paper
SURROUND MTL	Rubber
NOMINAL IMPEDANCE	4 Ω
DCR IMPEDANCE	3.4 Ω
SENSITIVITY 1W/1m	82 dB
FREQUENCY RESPONSE	45 -1.5 K Hz
FREE AIR RESONANCE	45 Hz
VOICE COIL DIAMETER	32 mm
AIR GAP HEIGHT	5 mm
RATED POWER INPUT	40 W
MAXIMUM POWER INPUT	80 W
FORCE FACTOR, BL	7.17 TM
TYPE OF MAGNET	Ferrite
MOVING MASS	28.81 g
FERROFLUID ENHANCED	No
SUSPENSION COMPLIANCE	368.72 μMN^{-1}
EFFECTIVE PISTON AREA	0.0094 M ²
Levc	0.34 mH
Zo	26 Ω
X-max	9.25 mm
Vas	4.85 Litr
Qts	0.49
Qms	3.56
Qes	0.57

VOICE:886.2.26570282 FAX:886.2.26580166
E-MAIL :info@tb-speaker.com