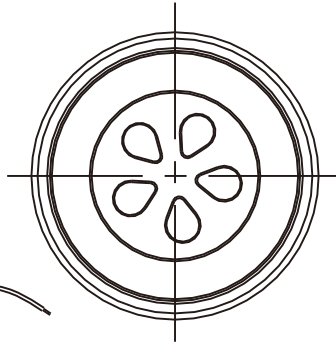
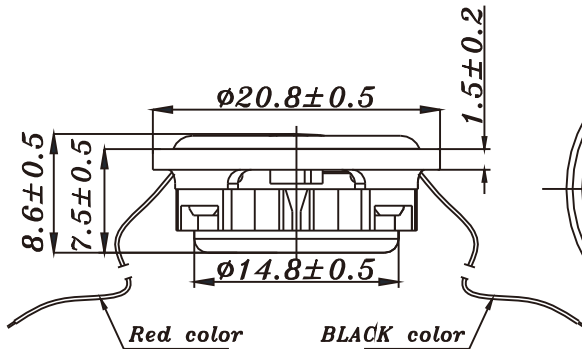


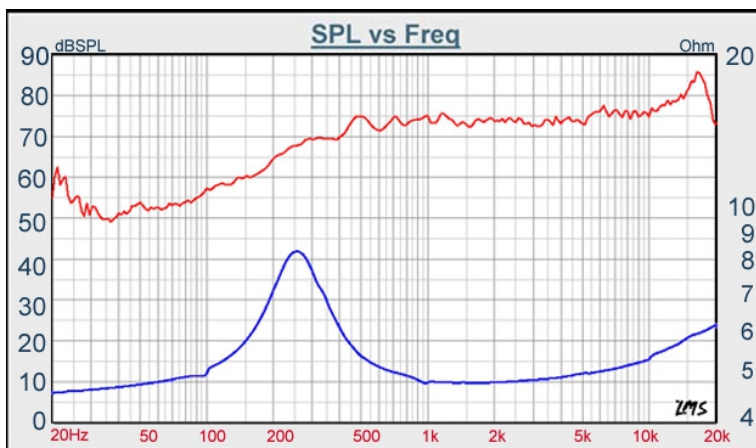
# F SERIES

# WO-2008S



- THE HIGHEST PERFORMANCE OF INNOVATIVE, TINY FULL RANGE DRIVER DESIGN
- OUTSIDE DIAMETER OF 20.8mm, Fo:280Hz
- PP CONE WITH SANTOPRENE SURROUND
- NEODYMIUM MOTOR SYSTEM
- PATENTED PRODUCT WITH EXCELLENT CONSISTENCY
- IT'S GOOD FOR MULTIMEDIA APPLICATION

OD = 18.4MM , FULL RANGE



DIAPHRAGM MTL	Mineral filled pp
SURROUND MTL	Santoprene
NOMINAL IMPEDANCE	4 Ω
DCR IMPEDANCE	3.6 Ω
SENSITIVITY 1W/1m	73 dB
FREQUENCY RESPONSE	280 - 20 K Hz
FREE AIR RESONANCE	280 Hz
VOICE COIL DIAMETER	11.80 mm
AIR GAP HEIGHT	1.5 mm
RATED POWER INPUT	1 W
MAXIMUM POWER INPUT	2 W
FORCE FACTOR, BL	0.99 TM
TYPE OF MAGNET	Neodymium
MOVING MASS	0.15 g
FERROFLUID ENHANCED	YES
SUSPENSION COMPLIANCE	2663 $\mu\text{MN}^{-1}$
EFFECTIVE PISTON AREA	0.00014 $\text{M}^2$
Levc	0.007 mH
Zo	8 Ω
X-max	0 mm
Vas	0.007 Litr
Qts	0.50
Qms	1.17
Qes	0.86

# TB SPEAKERS

VOICE:886.2.26570282 FAX:886.2.26580166  
E-MAIL :info@tb-speaker.com